

# AC925 Series

**Class I, Division 2 / Zone 2 Accelerometer, For Use In "Non-Arcing, Non-Sparking" Environments, Top Exit Connector, 100 mV/g**

SECTION I - ACCELEROMETERS  
AC925 Series



Actual Product Size Shown

**Must Use "Class I, Division 2" CB190 Cable and D2Q Connectors**  
**Product Features**

**Class I, Division 2 / Zone 2 Rating**

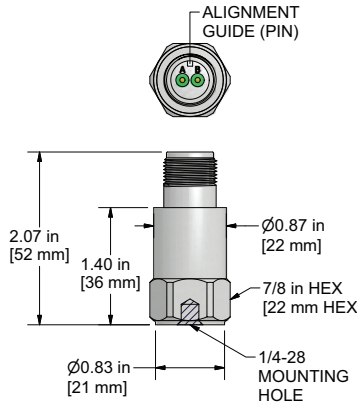
**Excellent for Higher g Applications**

- $\pm 50$  g, Dynamic Range
- 100 mV/g,  $\pm 10\%$  Sensitivity
- 0,5-15000 Frequency Response

## AC925-1A

2 Pin Connector

Connector Pin	Polarity
A	(+) Signal / Power
B	(-) Common



Specifications	Standard	Metric
Part Number	AC925	M/AC925
Sensitivity ( $\pm 10\%$ )	100 mV/g	
Frequency Response ( $\pm 3\text{dB}$ )	30-900,000 CPM	0,5-15000 Hz
Frequency Response ( $\pm 10\%$ )	60-600,000 CPM	1,0-10000 Hz
Dynamic Range	$\pm 50$ g, peak	
<b>Electrical</b>		
Settling Time	<3 Seconds	
Voltage Source	18-28 VDC	
Constant Current Excitation	2-4 mA	
Spectral Noise @ 10 Hz	6.5 $\mu\text{g}/\sqrt{\text{Hz}}$	
Spectral Noise @ 100 Hz	2 $\mu\text{g}/\sqrt{\text{Hz}}$	
Spectral Noise @ 1000 Hz	1.8 $\mu\text{g}/\sqrt{\text{Hz}}$	
Output Impedance	<100 ohm	
Bias Output Voltage	10-14 VDC	
Case Isolation	>10 <sup>8</sup> ohm	

Specifications	Standard	Metric
<b>Environmental</b>		
Temperature Range	-58 to 250°F	-50 to 121°C
Maximum Shock Protection	5,000 g, peak	
Electromagnetic Sensitivity	CE	
Sealing	Welded, Hermetic	
<b>Physical</b>		
Sensing Element	PZT Ceramic	
Sensing Structure	Shear Mode	
Weight	3.2 oz	90 grams
Case Material	316L Stainless Steel	
Mounting	1/4-28	
Connector (non-integral)	2 Pin MIL-C-5015	
Resonant Frequency	1,380,000 CPM	23000 Hz
Mounting Torque	2 to 5 ft. lbs.	2,7 to 6,8 Nm
Mounting Hardware	1/4-28 Stud	M6x1 Adapter Stud
Calibration Certificate	CA10	

## Ordering Information

Standard	AC925-1A (1/4-28 Stud)
Metric	M/AC925-1A (M6x1 Adapter Stud)

**Read Before Purchasing**  
Important information on  
**Regulatory Approvals and Requirements**  
on Page 42

**SWANN & ASSOCIATES**

562.492.1394  
562.492.1396 fax  
sales@swann-associates.com

1707-B East 28th Street  
Signal Hill, CA 90755



**Backed by our Unconditional Lifetime Warranty**

[www.ctconline.com](http://www.ctconline.com)