

LP922 Series

Class I, Division 2 / Zone 2 Loop Power Sensor, For Use In "Non-Arcing, Non-Sparking" Environments, Top Exit Connector, Acceleration, 4-20 mA Output



Actual Product Size Shown



Must Use "Class I, Division 2" CB190 Cable and D2Q Connector or CB922-1A Cable Adapter

Product Features

Continuous Monitoring in Hazardous Locations

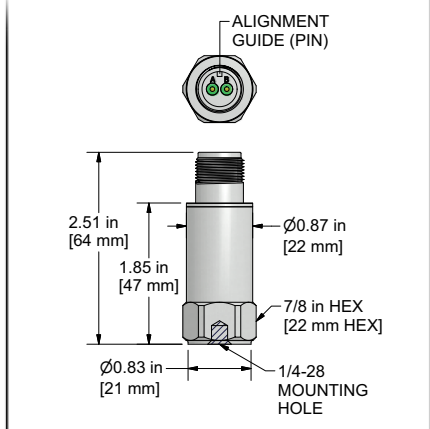
Acceleration 4-20 Output for Applications in Hazardous Locations

- Requires CB190 with D2Q or CB922-1A Connector (for non-integral cable versions)
- Non-Arcing, Non-Sparking Sensor for Class I, Division 2
- Protection for Hazardous Locations

LP922-1B

2 Pin Connector

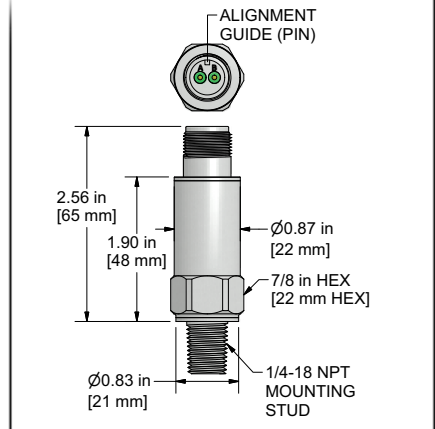
Connector Pin	Polarity
A	(+) Loop Power mA Output
B	(-) Common



P25/LP922-1B

2 Pin Connector

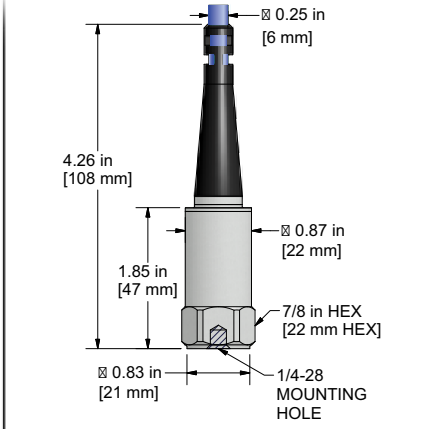
Connector Pin	Polarity
A	(+) Loop Power mA Output
B	(-) Common



LP922-2C

Integral Cable

Conductor	Polarity
Red	(+) Loop Power mA Output
Black Shield	(-) Common Cable Drain Wire



Specifications	Standard	Metric
Output, 4-20 mA	See Selection Guide	
Measurement Range		
Electrical		
Settling Time (Turn on Time) @ Room Temp (68° F/20° C)	<60 Seconds	
Power Requirement (Loop Powered) Voltage Source	12-28 VDC	
Electrical Case Isolation	>10 ⁸ ohm	
Environmental		
Temperature Range	-40 to 176°F	-40 to 80°C
Electromagnetic Sensitivity	CE	
Sealing	Welded, Hermetic	

Specifications	Standard	Metric
Physical		
Sensing Element	PZT Ceramic	
Sensing Structure	Shear Mode	
Weight (without cable)	3.7 oz	105 grams
Case Material	316L Stainless Steel	
Mounting Hole	1/4-28	
Connector (LP922-1B)	2 Pin MIL-C-5015	
Integral Cable (LP922-2C)	Blue TPE Cable	
Mechanical		
Mounting Torque	2 to 5 ft. lbs.	2,7 to 6,8 Nm
Supplied Accessories		
Mounting Hardware	1/4-28 Stud	M6x1 Adapter Stud
Calibration Certificate	Current Output @ 100 Hz	

Ordering Information

Stud Type	Measurement Range	Range Type	Frequency Range +/- 3dB	Style
M = M6x1	0 = 0-1 g	R = RMS	1 = 600-60,000 CPM (10-1000 Hz)	1B = 2 Pin MIL (C-5015)
P25 = 1/4 inch NPT	2 = 0-2 g	P = Peak	2 = 180-150,000 CPM (3-2500 Hz)	2C = Integral Cable
Blank = 1/4-28	5 = 0-5 g			
	10 = 0-10 g			
	20 = 0-20 g			

Read Before Purchasing

Important information on Regulatory Approvals and Requirements on Page 195

Lifetime Warranty on Materials & Workmanship

www.ctonline.com



SECTION 6 - PRO LINE LP922 Series



PROTECTION & RELIABILITY
OPTIMIZATION INSTRUMENTS
A CTC COMPANY

- LEFT CLICK & DRAG TO ROTATE MODEL
- RIGHT CLICK & DRAG TO ZOOM
- HOLD BOTH MOUSE BUTTONS TO PAN



3D DATA SHEET

2 Pin Connector

Mounting Stud

Integral Cable

2 Pin Connector

Integral Cable

Armored Integral Cable



ADOBE®
READER® 9.3
RECOMMENDED
(Adobe® Reader® 8 Required)

[CLICK TO DOWNLOAD!](#)

[CLICK HERE FOR HELP](#)

CLICK HERE FOR HELP

[BACK TO MAIN
DATA SHEET](#)

