



### TM016 Velocity/ Acceleration Vibration Transmitter

#### Introduction

The TM016 is a solid state loop powered transmitter which provides a 4-20mA output proportional to the machine case vibration level. The 4-20mA output interfaces directly to any PLC or DCS for shutdown, alarm or trending. The TM016 is easy to install on the machine case.

Applications include:

- ✓ Motors
- ✓ Pumps
- ✓ Fans
- ✓ Blowers
- ✓ Engines
- ✓ Compressors
- ✓ Centrifuges
- ✓ Generators
- ✓ Turbochargers
- ✓ Gear Boxes



TM016-D4



TM016-D0, D1

#### Features

- ✓ Loop powered 4-20mA velocity or acceleration (peak or RMS) output
- ✓ Wide operating temperature range -40°C to +120°C (-40°F to +248°F)
- ✓ Stainless steel housing
- ✓ NEMA4X, IP65 or IP67 environmental rating
- ✓ Multiple hazardous area approvals
- ✓ Frequency filter options
- ✓ Wide selection of mounting studs

SWANN & ASSOCIATES, INC.  
 1707B. E. 28th St.  
 Long Beach, CA 90755 USA  
 001-562-492-1394  
[www.swann-associates.com](http://www.swann-associates.com)



### Electrical

Overall vibration output:

4-20mA, load (loop powered)

Accuracy: 3%

Frequency response (+/- 3db):

Acceleration:

AAA= 200, 201, 202: 2 - 3,000 Hz

Velocity:

AAA= 000 to 162: 2 - 3,000 Hz

Transverse sensitivity:

< 5%

Power supply:

12VDC - 30VDC

< 30mA

Maximum load resistance:

600 ohms @ 24VDC power supply

Isolation:

500Vrms, circuit to case

Case material:

Stainless steel

Output connection:

Flying leads:

2 cables for 4-20mA

2 cables for buffered output

Mil connector:

2 pins for 4-20mA

Buffered output:

100mV/g nominal

Maximum cable length 3m (10ft)

Filter option:

40dB/oct for hi-pass filter

40dB/oct for low-pass filter

Intrinsically safe:

ATEX: II 1G EEx iaIICT4 @Ta=-40°C to+100°C

(Ui=30V, Ii=110mA, Pi=825mW, Ci=51.7nF, Li=84uH)

PCEC: Ex iaIICT4

### Physical

Temperature:

Operation:

Normal (G=0): -40°C to + 100°C (-40°F to +212°F)

High (G=1): -40°C to + 120°C (-40°F to +248°F)

Storage: -50°C to + 125°C (-58°F to +257°F)

Dimensions:

Diameter: 38mm (1.5")

Height: Flying leads: 78mm (3.1");

Mil connectors: 87mm (3.4")

Weight:

240g (0.5lb)

Output Connections:

2-pin MIL-C-5015

Flying leads: 2 or 4 wires

1 NPT

Environmental:

Flying leads: NEMA 4X, IP65

2-pin connector: IP67

**SWANN & ASSOCIATES, INC.**

1707B. E. 28th St.

Long Beach, CA 90755 USA

001-562-492-1394

[www.swann-associates.com](http://www.swann-associates.com)



Order Information

Ex dIICT4

\* Factory default

TM016-AAA-BCD-EF-G

AAA: Full Scale

- AAA=000: 20mm/s (0.8ips), pk
- AAA=001: 20mm/s (0.8ips), rms
- AAA=121: 25mm/s (1.0ips), pk
- AAA=122: 12.5mm/s (0.5ips), pk
- AAA=123: 50mm/s (2.0ips), pk
- AAA=124: 125mm/s (5.0ips), pk
- AAA=132: 75mm/s (3.0ips), pk
- AAA=151: 25mm/s (1.0ips), rms
- AAA=152: 12.5mm/s (0.5ips), rms
- AAA=153: 50mm/s (2.0ips), rms
- AAA=154: 125mm/s (5.0ips), rms
- AAA=162: 75mm/s (3.0ips), rms
- AAA=200: 5.0g, pk
- AAA=201: 10g, pk
- AAA=202: 20g, pk

B: Mounting Adaptor

- B=0: 1/4" NPT
- B=1: 1/2" NPT
- B=2: 3/8-24UNF X 1/2"
- B=3: 1/2-20UNF X 1/2"
- B=4: M8x1-12
- B=5: M10x1.25-12

C: Hazardous Area and Approvals

- C=1: CE
- C=2\*: CE
- CSA: Class I, Div. 1, Groups A, B, C & D  
Class II, Div. 1, Groups E, F, G & T4@Ta=-40°C to+120°C
- ATEX: II 2G, Ex dIICT4@Ta=-40°C to+120°C  
KEMA06ATEX0275
- ATEX: II 1G, EEx iaIICT4@Ta=-40°C to+100°C  
KEMA06ATEX0228
- GOST R: 0ExiaIICT4X
- PCEC: Ex iaIICT4

- C=3\*: CE
- ATEX: II 1G EEx iaIICT4@Ta=-40°C to+100°C  
KEMA06ATEX0228
- GOST R: 0ExiaIICT4X
- PCEC: Ex iaIICT4

D: Connection

- D=0: 4-20mA, flying leads
- D=1: 4-20mA, flying leads with buffered output
- D=4: 4-20mA, 2-PIN MIL connector (C=1, 3)

E: High-pass Filter

- E=0: None
- E=1: 5Hz
- E=2: 10Hz
- E=3: 20Hz
- E=4: 50Hz
- E=5: 100Hz
- E=6: 200Hz

F: Low-pass Filter

- F=0: none
- F=1: 500Hz
- F=2: 1000Hz
- F=3: 2000Hz

G: Temperature

- G=0: Normal temperature (-40°C to + 100°C)
- G=1: High temperature (-40°C to + 120°C)

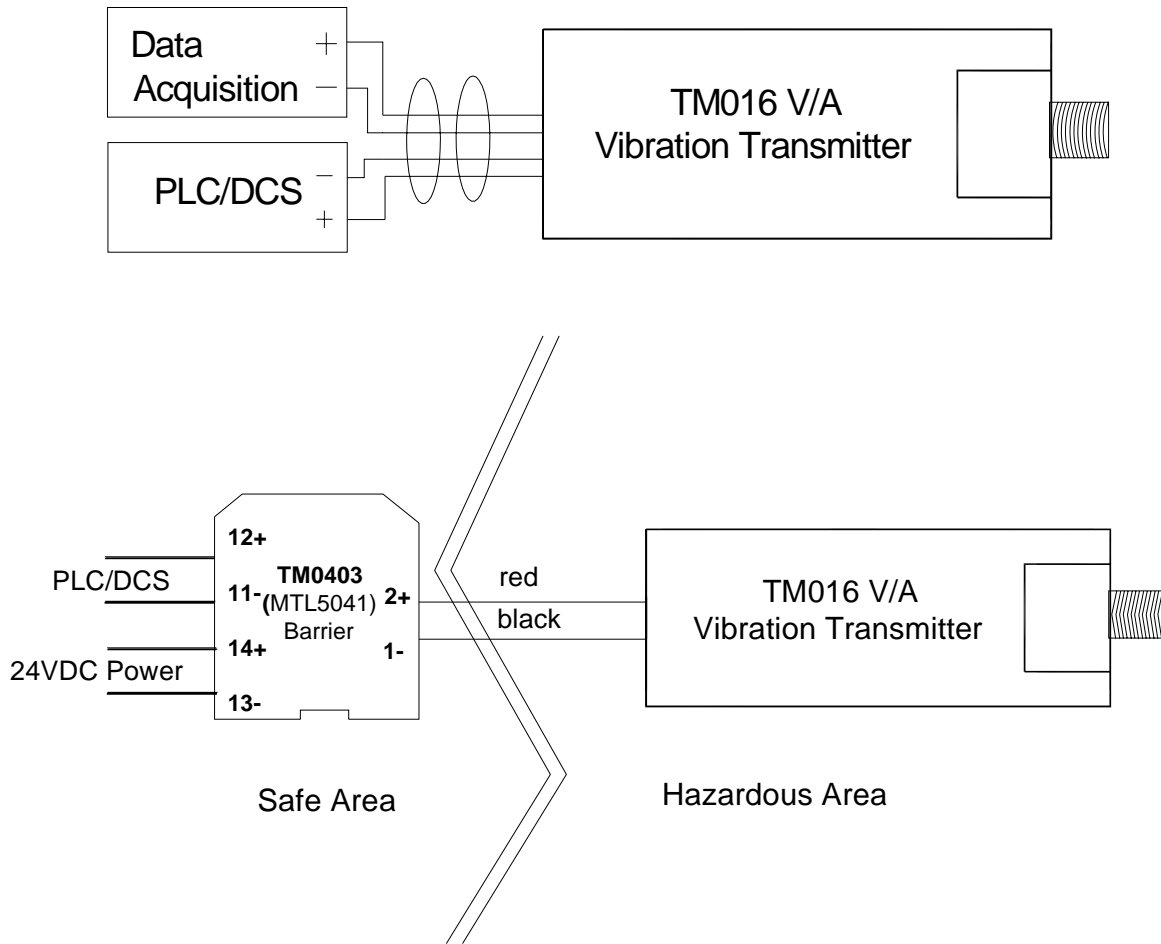
TM016-K1

- Vibration transmitter kit includes:
- TM016-D0 or -D1 with TM016-02
- CE mark
- CSA: Class I, Div. 1, Groups A, B, C & D  
Class II, Div. 1, Groups E, F, G & T4
- ATEX: II 2G, Ex dIICT4 @Ta=-40°C to+120°C  
KEMA06ATEX0275

SWANN & ASSOCIATES, INC.  
 1707B. E. 28th St.  
 Long Beach, CA 90755 USA  
 001-562-492-1394  
[www.swann-associates.com](http://www.swann-associates.com)



**Field-Wiring Diagram**



Note:

Other Barriers:

TM0404: (MTL 5042)

TM0406: (STAHL 9303/11-22-11)

TM0407: (STAHL 9160/13-11-11)

**SWANN & ASSOCIATES, INC.**  
1707B. E. 28th St.  
Long Beach, CA 90755 USA  
001-562-492-1394  
[www.swann-associates.com](http://www.swann-associates.com)



## Accessories

(Standard cable length is 5 meters. XX = 05)



**TM0702-XX:** Aluminum MIL connector with XX meters cable, 6.35mm diameter. < 120°C (250°F)



**TM0703-XX:** Sealed tight boot connector with XX meters cable, 6.35mm diameter. < 120°C (250°F)



**TM0704-XX:** Stainless steel MIL connector with Armored XX meters cable, 4.83mm diameter. < 150°C (300°F), Maximum Length is 10 meters.



**TM0705-XX:** Cornered MIL connector with XX meters cable, 6.35mm diameter. < 120°C (250°F), Maximum Length is 10 meters.



**TM016-01:** Aluminum conduit elbow & reducer. 1" to 3/4" NPT

**TM016-11:** Aluminum conduit elbow & reducer with terminal block. 1" to 3/4" NPT Class I, Div. 1, Groups B, C & D; Class II, Div. 1, Groups E, F & G and NEMA 4X, IP65



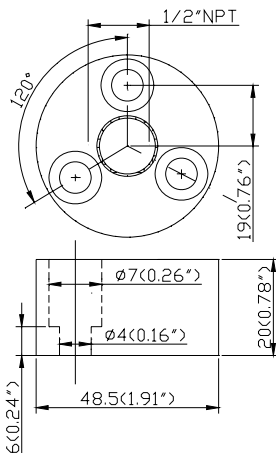
**TM016-02:** Stainless steel conduit elbow with terminal block. 1" to 3/4" NPT

Class I, Div. 1, Groups A, B, C, D & T4; Class II, Div. 1, Groups E, F & G and NEMA 4X, IP65 (works with TM016)



**TM016-03:** Stainless steel flange mounting adaptor with 1/2" NPT mount; 3 holes of 7mm on the circle of 38mm (1.5") in diameter

TM016-03:



**TM900:** Power converter

**TM0200:** 3-1/2 digit display unit

**SWANN & ASSOCIATES, INC.**

1707B. E. 28th St.

Long Beach, CA 90755 USA

001-562-492-1394

[www.swann-associates.com](http://www.swann-associates.com)